

Speaker / Electronic Horn / Heavy Duty Electronic Horn



		Speaker	Electronic Horn			Heavy Duty Electronic Horn		
Model		AUP-B	AUP-EWH			AUP-EWM-A	AUP-EWM-B	AUP-EWM-C
Voltage		AC110V ~ 220V DC12V / 24V	AC110V ~ 220V DC12V / DC24			AC110 ~ 220V DC12V / DC24V	AC110 ~ 220V DC24V	AC110 ~ 220V DC12V / DC24V AC110 ~ 220V
Dimension (mm)	Diameter	78 X 78	116 x 116	Ø210	116	120	134	134
	Height	-	-	-	196	161	154	154
	Depth	71	196	306	223	120	242	325
Material		ABS	ABS	ABS	Horn - ABS / Body - AC7A			
Timbre & Volume	Melody	4 Sounds Max. 90dB	3 Sounds Max. 115dB	3 Sounds Max. 120dB	3 Sounds Max. 120dB	3 Sounds Max. 115dB	3 Sounds Max. 115dB	3 Sounds Max. 120dB
	Buzzer							
Siren								
Mounting structure		Panel buried	Self stand		Wall mounted		Direct mounted	
Max. Output		-	25W	35W	25W / 35W	25W	25W	50W
Cable entry								
Customization		-	15W	-	-		-	
Page		p.67	p.69	p.69	p.70	p.70	p.71	p.71



## AUP-B Series

### Panel Mounted Speaker



### Nomenclature



**AUP - B -** 1 - 2

Panel Mounted Speaker      Basic sound      Voltage

**①**  
AM: Melody  
AB: Buzzer  
AV: Voice

**②**  
110 / 220 :  
AC110 ~ 220V  
12 / 24  
12 : DC12V  
24 : DC24V

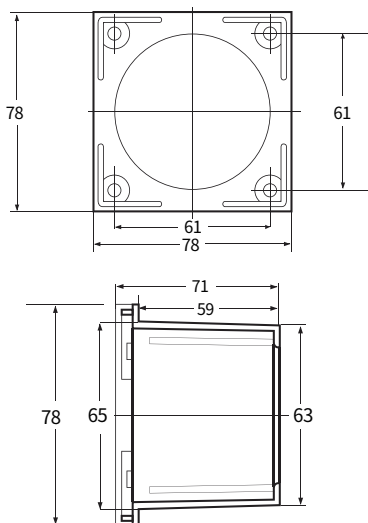
### Technical Diagram

Unit: mm



### AUP-B

### Panel Mounted Speaker



- Although it is small in size, it makes a clear, high capacity sound
- A panel style buzzer and alarm made with 4 channels. Users can choose the tones based on the channel selection
- Clear and fine sound in 8 harmonies
- Users can control 5 types of melodies and 7 types of buzzers according to the selected combination
- Volume control is provided on the reverse side of the product
- Max. 90dB
- Material : ABS
- Operating Temperature : -25 ~ 50°C

### Customization

- Users can control sound combinations through the DIP switches in the product ( See Page 68 )
- If changing user settings is too difficult, the default setting is available when deciding order specifications



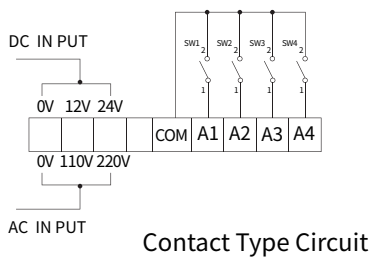
MODEL	Embedded sound				Voltage	Current	Weight
	Channel	Audible Options	Tones	Volume			
AUP-B	A1	Melody (AM) DIP switch No. 2, 3, 4 ON	Turkish March	Max. 90dB	AC110V ~ AC220V	0.5(A)	272g
	A2		Piano Sonata				
	A3		Home Sweet Home				
	A4	Fur Elise	AC12V ~ AC24V		1.2(A)	184g	
	A1	Buzzer (AB) DIP switch No. 1, 2 ON					bee~bee~bee
	A2						Dingdong
A3	bee-ee						
A4	bee bee bee bee						

- ⊙ Audible tones can be changed with the DIP switch in the product and external channel sockets
- ⊙ Volume can be adjusted by lightly turning the dial with a flat head screwdriver

### Audible Table

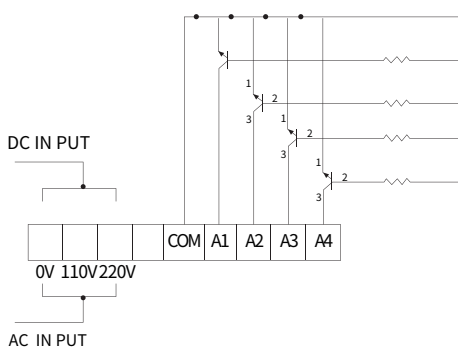
- ⊙ It can be changed to use DIP switch and input pin channel adjustment, depending on the user's selection

### Circuit Diagram



DIP Switch Adjustment	Input Pin			
	A1	A2	A3	A4
All OFF	Dingdongdang	Piano Sonata	Magic Flute	Home Sweet Home
No 1 ON	Dingdong	Telephone bell	bee bee peep	Dingdongdang
No 2 ON	Magic Flute	Piano Sonata	Fur Elise	Telephone bell
No 3 ON	Piano Sonata	Turkish March	Home Sweet Home	Magic Flute
No 4 ON	Fur Elise	Turkish March	Home Sweet Home	bee bee bee bee
No 1, 2 ON	bee~bee~bee	Dingdong	bee-ee	bee bee bee bee
No 1, 3 ON	Magic Flute	Fur Elise	Turkish March	Home Sweet Home
No 1, 4 ON	Magic Flute	Home Sweet Home	Telephone bell	Dingdongdang
No 2, 3 ON	Magic Flute	Turkish March	Piano Sonata	bee bee bee bee
No 2, 4 ON	Home Sweet Home	Magic Flute	Turkish March	Dingdong
No 3, 4 ON	Magic Flute	Home Sweet Home	Dingdong	Telephone bell
No 1, 2, 3 ON	Fur Elise	Home Sweet Home	Magic Flute	Piano Sonata
No 1, 2, 4 ON	Magic Flute	Turkish March	Home Sweet Home	bee~bee~bee
No 1, 3, 4 ON	Magic Flute	Piano Sonata	Home Sweet Home	Dingdongdang
No 2, 3, 4 ON	Turkish March	Piano Sonata	Home Sweet Home	Fur Elise
No 1, 2, 3, 4 ON	Piano Sonata	Magic Flute	Fur Elise	Turkish March

	Transistor	Contact-free Relay
Type	NPN Transistor (2SC & 2SD)	Current output-type for DC load (open collector)
Withstand Voltage	$V_c > 12V$	
Current Capacity	$I_C > 10mA$ (10mA or more)	
Leakage Current	$I_{CDB} > 0.1mA$ (0.1mA or lower)	
Allowable Voltage	$V_{AST} < 1V$ (1V or lower)	



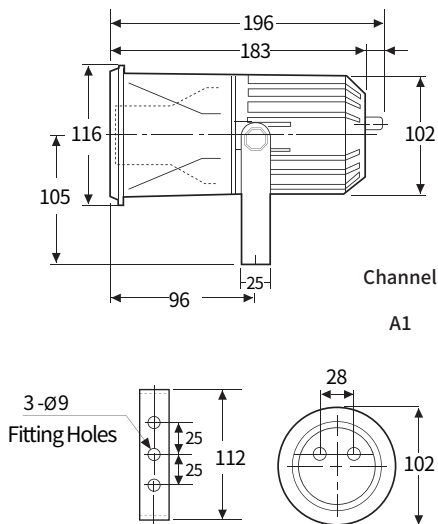
### How to Use TR and SSR



**AUP-EWH-25W**

### Technical Diagram

Unit: mm



**AUP-EWH-35W**

## Nomenclature

AUP - EWH -	①	②	③
	Output	Audible Option	Voltage
Electronic Horn	25W : 25W	AS : Siren	110 / 220 : AC110 ~ 220V
	35W : 35W	AM : Melody	12 : DC12V
		AB : Buzzer	24 : DC24V
		AV : Voice	



## AUP-EWH

## Electronic Horn

- ⊙ 3 siren sounds, 3 melody sounds, and 3 buzzer sounds can be selected according to the operator's purpose
- ⊙ The device is equipped with a volume switch for easier volume adjustment
- ⊙ The device is equipped with a timbre switch for easier timbre change
- ⊙ Light and solid manufacturing
- ⊙ Buzzer volume Max. 115 ~ 120dB
- ⊙ Material : ABS
- ⊙ Operating Temperature : -25 ~ 50°C

MODEL	Embedded sound			Volume	Voltage & Current	Weight
	Channel	Audible Options	Tones			
AUP-EWH 25W	A1	Siren AS	Fire	Max. 115dB	AC110V / 220V compatible: 0.113A	AC : 1174g DC : 1122g
	A2		Emergency			
	A3		Urgent			
	A1	Melody AM	The Magic Flute	Max. 115dB	DC12V : 2.21A	
	A2		Home Sweet Home			
	A3		Fur Elise			
	A1	Buzzer AB	bee bee bee bee	Max. 115dB	DC24V : 1.02A	
	A2		Ding dong			
	A3		beep ~ beep ~ beep			
AUP-EWH 35W	A1	Siren AS	Fire	Max. 120dB	AC110V / 220V compatible: 0.122A	AC : 1431g DC : 1379g
	A2		Emergency			
	A3		Urgent			
	A1	Melody AM	The Magic Flute	Max. 120dB	DC12V : 2.44A	
	A2		Home Sweet Home			
	A3		Fur Elise			
	A1	Buzzer AB	bee bee bee bee	Max. 120dB	DC24V : 1.19A	
	A2		Ding dong			
	A3		beep ~ beep ~ beep			

## Customization

- ⊙ 15W customized consultation is possible
- ⊙ Voice signal (Voice sound) is selectable as a ordering specification (Voice sound type DC12V / 24V compatible)
- ⊙ 4 sounds, including melodies and Piano Sonata, and 4 sounds including buzzer and bee~~~bee~~~ sounds can be ordered



# AUP-EWM Series

## Heavy Duty Electronic Horn



**AUP-EWM-A**



**AUP-EWM-B**

### Nomenclature

AUP - EWM -	①	-	②	-	③	-	④
	Type		Output		Audible Option		Voltage
Heavy Duty Electronic Horn	A Type		25W : 25W 35W : 35W		AS : Siren AM : Melody AB : Buzzer		110 / 220 : AC110 ~ 220V 12 : DC12V 24 : DC24V
	B Type						



### AUP - EWM - A

### Heavy Duty Electronic Horn

- ⊙ A cable gland is equipped on the housing terminal box
- ⊙ Aluminum housing structure with excellent durability
- ⊙ Suitable for outdoor, shipping, and heavy industry with completely waterproofed structure
- ⊙ Buzzer volume Max. 115 ~ 120dB
- ⊙ Material : Aluminum housing + ABS Signal Horn
- ⊙ Operating Temperature : -25 ~ 50°C
- ⊙ 25W / 35W two types of maximum outputs are available

\* See on Page 69

MODEL	Output	Audible Options	Volume	Voltage	Weight
AUP-EWM-A	25W	Siren <b>AS</b>	Max. 115dB	AC110V ~ 220V DC12V DC24V	AC : 3067g DC : 3040g
		Melody <b>AM</b>			
		Buzzer <b>AB</b>			
AUP-EWM-A	35W	Siren <b>AS</b>	Max. 120dB	AC110V ~ 220V DC12V DC24V	AC : 3324g DC : 3297g
		Melody <b>AM</b>			
		Buzzer <b>AB</b>			



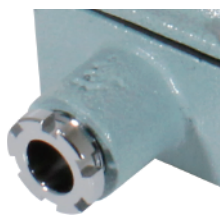
### AUP - EWM - B

### Heavy Duty Electronic Horn

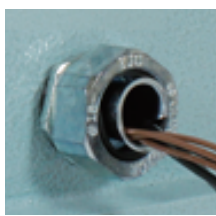
- ⊙ The housing is equipped with a flexible connector
- ⊙ Buzzer volume Max. 115dB
- ⊙ 25W of maximum output is available

\* See on Page 69

MODEL	Output	Audible Options	Volume	Voltage	Weight
AUP-EWM-B	25W	Siren <b>AS</b>	Max. 115dB	AC110V ~ 220V DC24V	AC : 2121g DC : 2101g
		Melody <b>AM</b>			
		Buzzer <b>AB</b>			



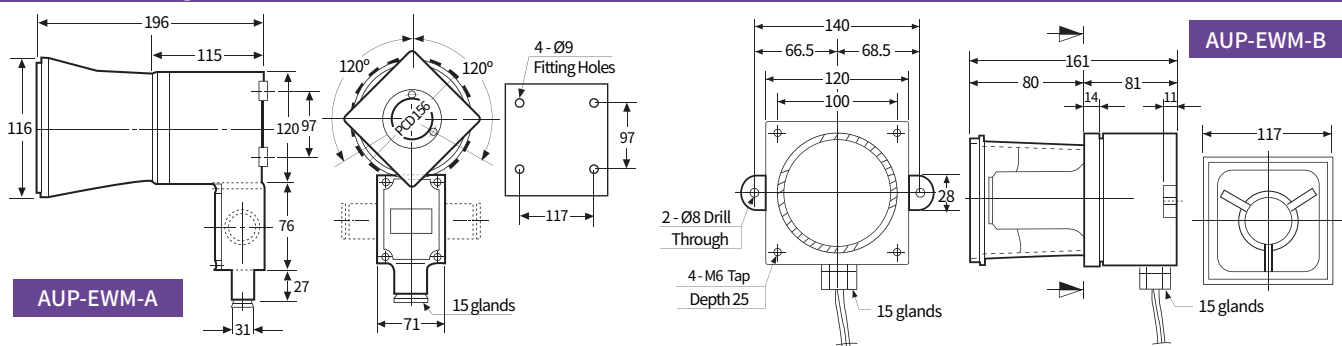
Cable Glands



Flexible Connector

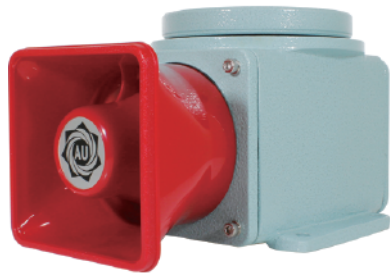
### Technical Diagram

Unit: mm





### Nomenclature



**AUP-EWM-C 25W**

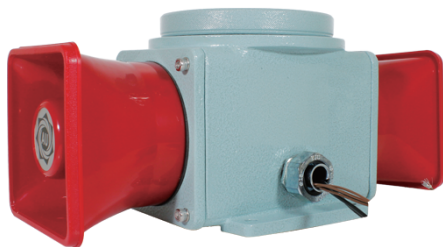
AUP - EWM -	①	-	②	-	③	-	④
	Type		Output		Audible Option		Voltage
Heavy Duty Electronic Horn	<b>C Type</b>		25W : 25W 50W : 50W		AS : siren AM : Melody AB : Buzzer		110 / 220 : AC110 ~ 220V 12 : DC12V 24 : DC24V



### AUP - EWM - C

### Heavy Duty Electronic Horn

- ⊙ The housing is equipped with a flexible connector
- ⊙ Excellent durability of aluminum housing structure
- ⊙ Suitable for heavy industry with completely waterproofed structure
- ⊙ With high capacity, suitable for places with loud noise or that require left and right direction
- ⊙ Material : Aluminum housing + ABS Horn
- ⊙ Operating Temperature : -25 ~ 50°C
- ⊙ 25W (One-way) / 50W (Two-way) of maximum output, with Electronic Horn

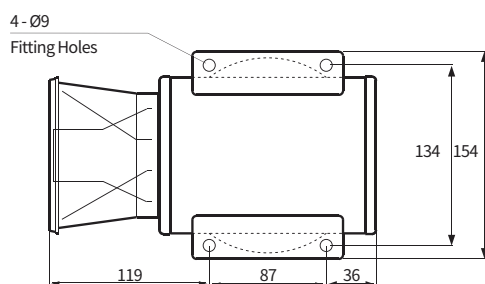


**AUP-EWM-C 50W**

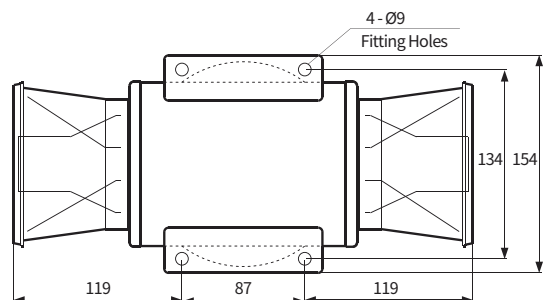
MODEL	Embedded sound			Volume	Voltage	Weight
	Channel	Audible Options	Tones			
AUP-EWM-C 25W (One-Way)	A1	Siren AS	Fire	Max. 115dB	AC110V ~ 220V	AC: 2796g DC: 2771g
	A2		Emergency			
	A3		Urgent			
	A1	Melody AM	The Magic Flute	Max. 115dB	DC12V	
	A2		Home Sweet Home			
	A3		Fur Elise			
	A1	Buzzer AB	bee bee bee bee	Max. 115dB	DC24V	
	A2		Ding dong			
	A3		bee~bee~bee~			
AUP-EWM-C 50W (Two-Way)	A1	Siren AS	Fire	Max. 120dB	AC110V ~ 220V	AC: 3678g
	A2		Emergency			
	A3		Urgent			
	A1	Melody AM	The Magic Flute	Max. 120dB	AC110V ~ 220V	
	A2		Home Sweet Home			
	A3		Fur Elise			
	A1	Buzzer AB	bee bee bee bee	Max. 120dB	AC110V ~ 220V	
	A2		Ding dong			
	A3		bee~bee~bee~			

### Technical Diagram

Unit: mm



**AUP-EWM-C-25W**



**AUP-EWM-C-50W**